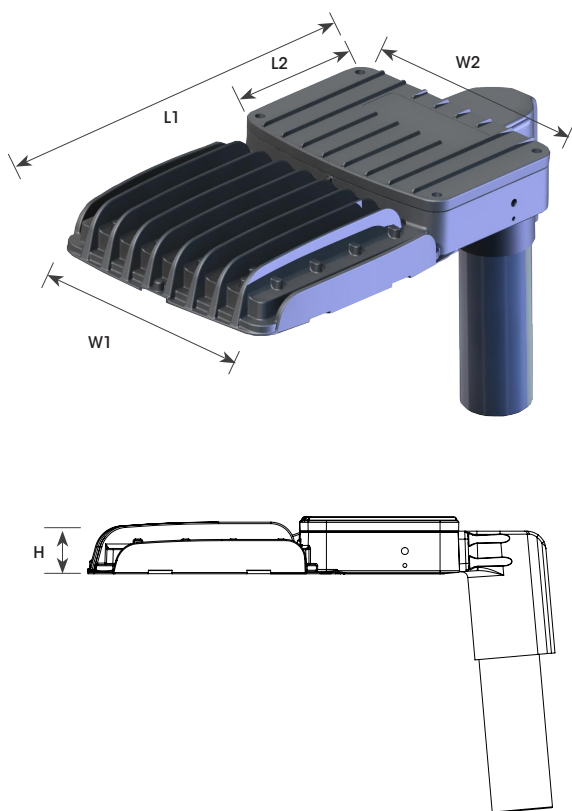
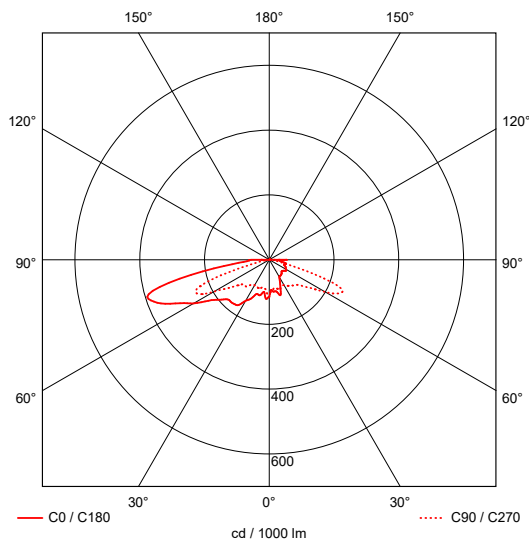


# LASCON® L20 FLOODLIGHT LED



Photometric Diagram



**Luminaire efficiency: 83.9%**

### Life/Maintenance

LED Driver Average Rated Life	50 000hrs
LED Life	50 000hrs (L80 F10, TP 45°C)

### Applications

- General floodlighting
- Security
- Sports field lighting
- Area

### Benefits

- **5 year warranty**
- Built-in surge protection

### Product Features and Accessories

- Vossloh Schwabe LED modules and driver
- High colour rendering index CRI > 80
- Colour temperature 5000K available
- LM6 die cast aluminium body
- Hot dipped galvanised stirrup
- 316 stainless steel screws and heli-coils
- 316 stainless steel fasteners
- 76mm bottom entry LM6 spigot

Specification	Lumen @ 45°C	System Power	Power Factor	Current	Dimensions					Weight
					L1	L2	W1	W2	H	
L20-125W-LED	18810	139.8W	0.95	900mA	467mm	143mm	306mm	281mm	65mm	6.5kg
L20-160W-LED	23920	179.2W	0.95	850mA	467mm	143mm	306mm	281mm	65mm	6.5kg
L20-200W-LED	28390	220.6W	0.95	1050mA	467mm	143mm	306mm	281mm	65mm	6.5kg

