



OMNIUS | OMNIUSR

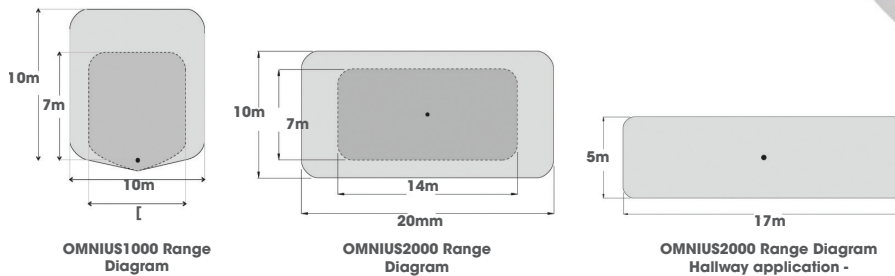
OMNI™ ULTRASONIC CEILING SENSOR FEATURING IntelliDAPT®

Key features

- IntelliDAPT self-adaptive technology – no manual adjustment required
- All-digital ultrasonic (US) technology
- Non-volatile memory for sensor settings
- 92 – 185 square-metre coverage area (depending on model)
- Optional relay and photocell control
- Quick to Install (QTI) connector
- Uses UVPP Power Pack - not included



Range Diagram



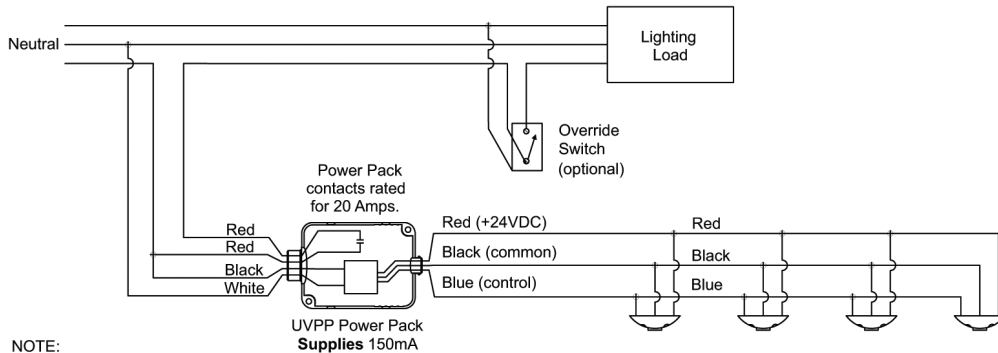
Specifications

IntelliDAPT technology	Auto reset from test setting Self-adjusting timer Self-adjusting ultrasonic and passive infrared thresholds Automatic false-on/false-off corrections
Timer timeout	Automatic mode: 8–30 minutes. (self-adjusts based on occupancy) Test mode: 8 seconds (for an easy check at installation)
Ultrasonic (US) output	OMNIUS1000 and OMNIUS2000: 32kHz output
RP option	Relay and photocell included Relay: NO + NC contacts; SPDT; 500 mA rated @ 24VDC; three-wire isolated relay Photocell: adjustable natural-light override ranges from 0–1,000 lux
Coverage	92 – 185m ² (depending on model)
Power requirements	24 VDC, 33mA (uses UVPP Power Pack – not included)
Output	24 VDC active high-logic control signal with short circuit protection and optional dry contact (see: RP option)
Operating environment	Indoor use only Operating temperature: 0° – 40°C 0% to 95% relative humidity, non-condensing
Construction	Casing – rugged, high-impact, injection-molded plastic KJB ABS Cyclac (UL-945VA) flame class rating, UV inhibitors Colour-coded leads are 152.4mm long
Size and weight	Size: 114mm diameter, 38mm height Weight: 142g
Colour	Off - white
Mounting	Mounting base provided Recommended maximum mounting height: 3.65m
Warranty	5 years



OMNIUS | OMNIUSR

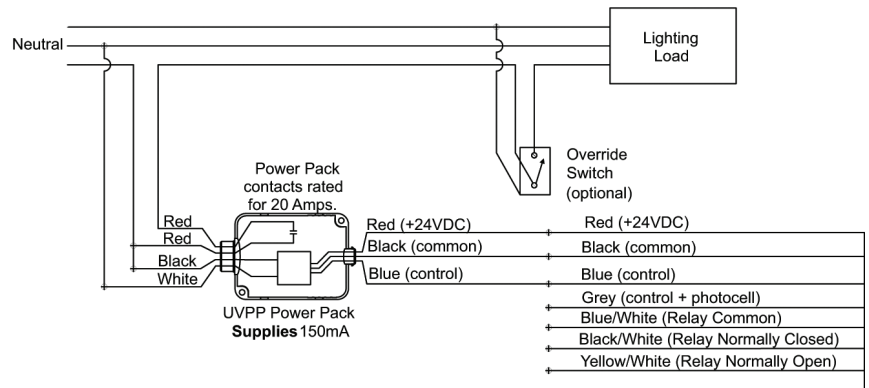
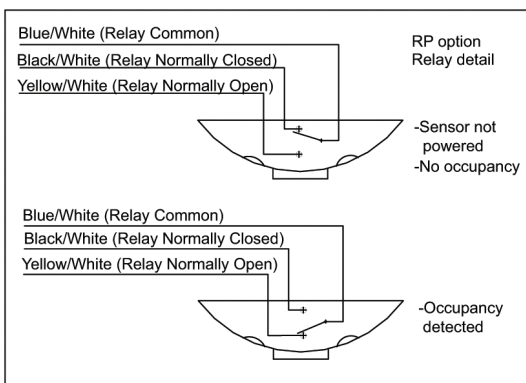
Wiring Diagram



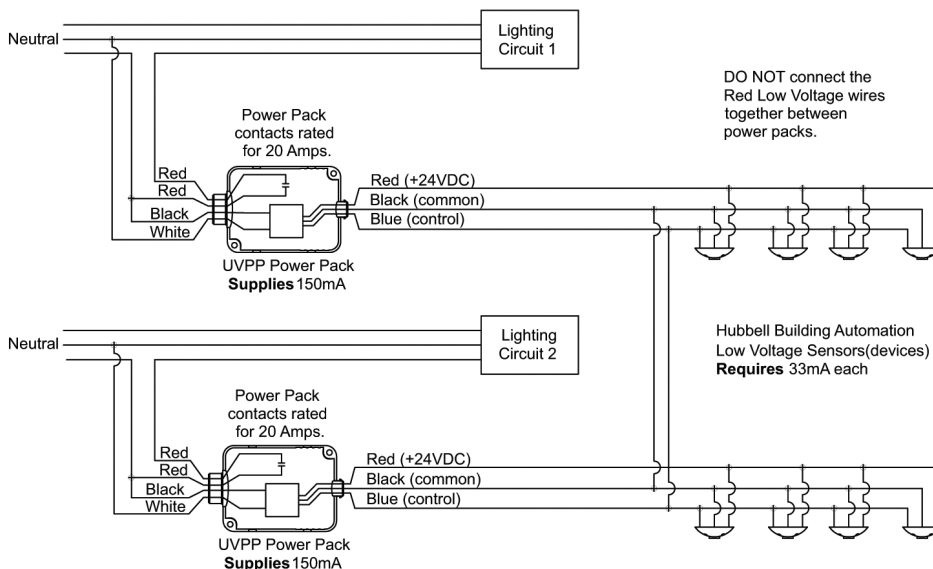
NOTE:

1. DO NOT attempt to power more than 4 devices (sensors or slave packs) from a single power pack.

Hubbell Building Automation Low Voltage Sensors (devices) Requires 33mA each



Hubbell Building Automation Omni or LightOWL sensors with -RP option



DO NOT connect the Red Low Voltage wires together between power packs.

Hubbell Building Automation Low Voltage Sensors (devices) Requires 33mA each

NOTES:

1. Lighting load turns on when at least one sensor detects motion.
2. DO NOT attempt to power more than 4 devices (sensors or slave packs) from a single power pack.
3. No more than 4 power packs should be connected in this way.